

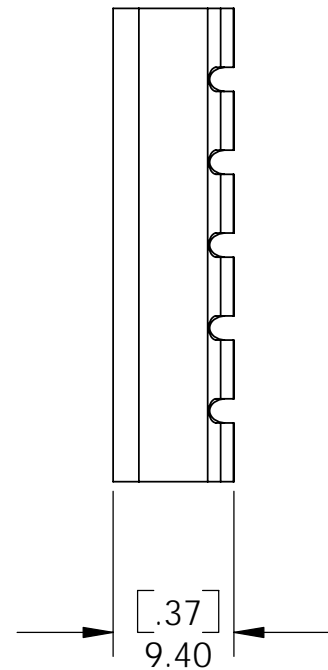
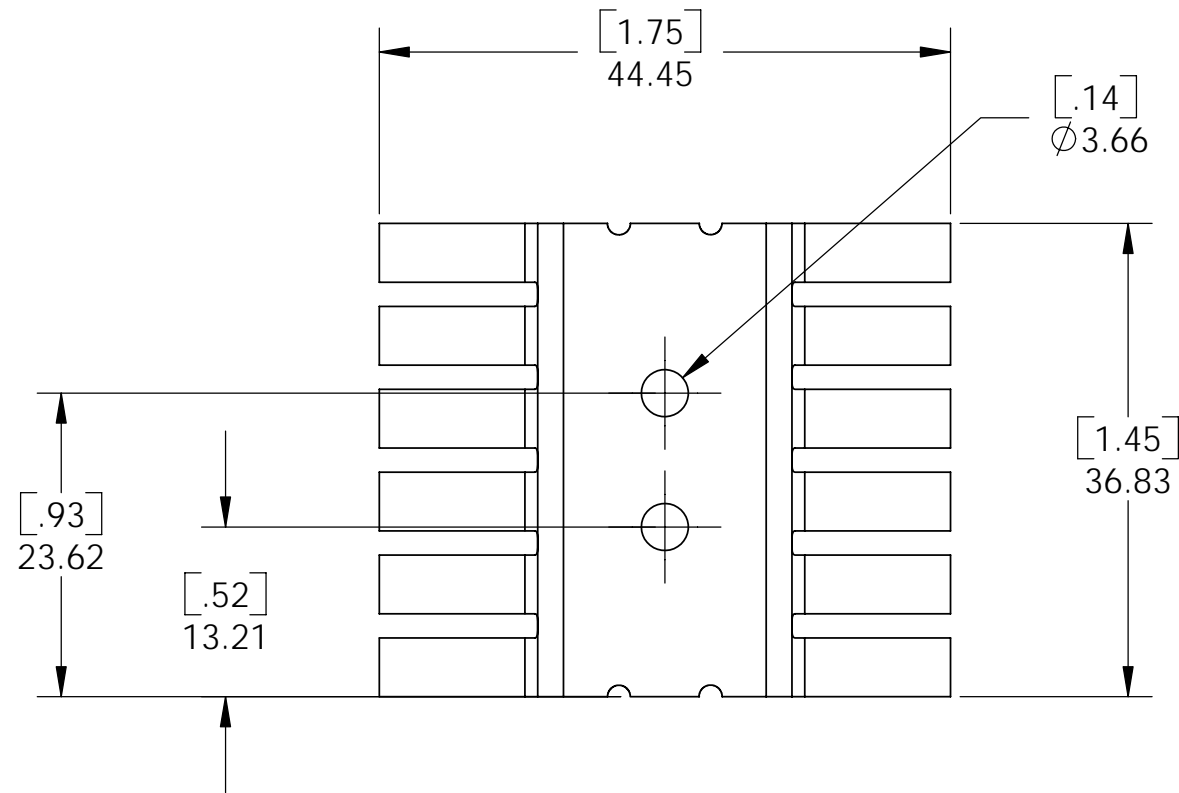
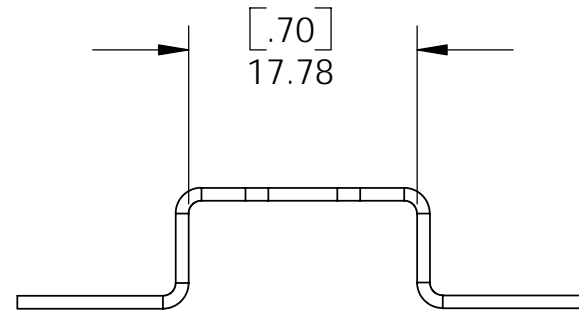
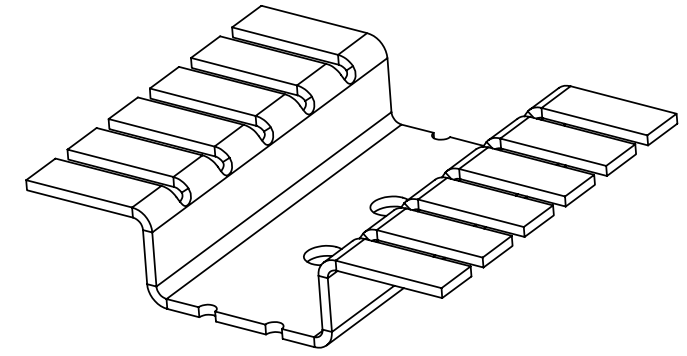
NOTES: (UNLESS OTHERWISE SPECIFIED)

1. PHYSICAL PROPERTIES

MATERIAL : ALUMINUM  
MASS : .010 LBS (4.51 GRAMS)  
SURFACE AREA : 6.10 SQ INCHES (39.33 SQ CM)  
MATERIAL THICKNESS: .039 INCHES [1.0 MM]

2. FINISH : BLACK ANODIZE

3. THIS PART IS RoHS COMPLIANT



AVAILABLE ACCESSORIES

HOLE PATTERN

	PART NUMBER: <b>824302B00000</b>	
TOLERANCE UNLESS OTHERWISE SPECIFIED 2 PL. DEC. + .030 [7.62] 3 PL. DEC. + .02 [5.08] ANGULAR + 30' SURFACE $\sqrt{32}$	DESCRIPTION: CHANNEL HEAT SINK	REV: <b>B</b>
AMERICAN PROJECTION 	Uncontrolled Drawing	